

## Mobile Lift Pro Flip L/P

Item no.: 1831

**Mobile, height adjustable lift system with rotatable holder, especially for XXL screens**

The Mobile Lift Pro Flip L/P is a mobile stand system with electromotive height adjustment for a large screen with a size of 42" up to 86" / 107 - 218 cm. The VESA mount is rotatable which allows to switch between portrait and landscape format.

It is therefore particularly suitable for large, heavy devices because the load limit is 125 kg max..

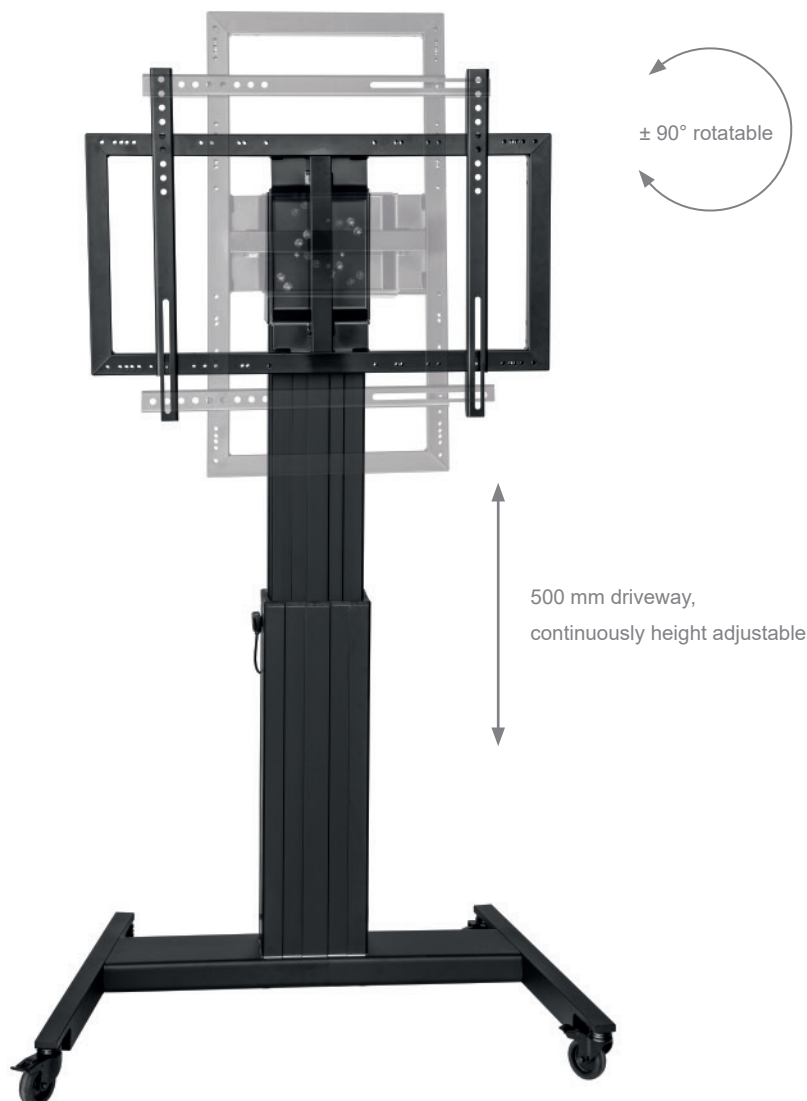
The high-quality, anodized aluminum lift columns are continuously height-adjustable with a wired remot control and can be optimally adjusted to the desired height. The driveway is 500 mm.

The VESA standards 200 x 200 up to 800 x 600 mm are supported.

Adapters to VESA 1200 x 600 mm, e.g. available for Microsoft Hub screens and the Cisco Spark Board series.

An extensive selection of accessories ensures that the system can be optimally set up for all requirements.

The Lift Pro System is also available in other versions.



Technical changes reserved

## Mobile Lift Pro Flip L/P

Item no.: 1831

Mobile, height adjustable lift system with rotatable holder, especially for XXL screens

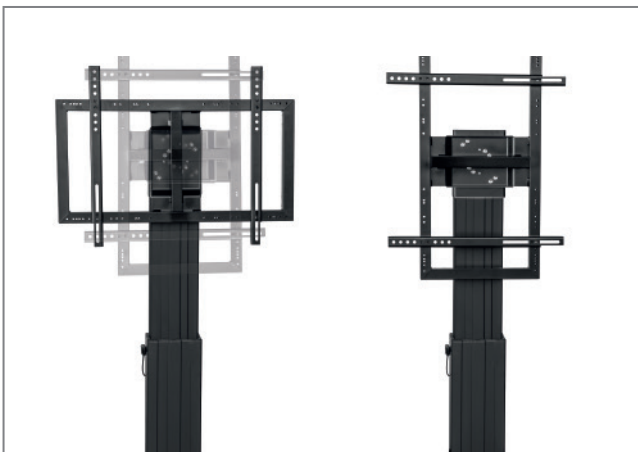
- for screens from 42 - 86" / 107 - 218 cm
- landscape or portrait format, optionally rotatable
- incl. VESA mount - 200 x 200 up to 800 x 600 mm, optionally expandable
- electromotive height adjustment
- wired remote control
- height adjustable from 1120 mm min. to 1620 mm max.
- 500 mm driveway
- floor space required: W 1035 x D 735 mm
- 4 heavy-duty castors, 2 of them with lock-type brake
- 125 kg load, max.
- cable management by cable clips on the back
- lots of accessories available as add-ons



Mobile Lift Pro FLIP L/P with two lockable castors



cable routing through cable clips



VESA mount can be rotated  $\pm 90^\circ$



various accessories, e.g. front shelf and side shelf

# Mobile Lift Pro Flip L/P

Item no.: 1831

Mobile, height adjustable lift system with rotatable holder, especially for XXL screens

